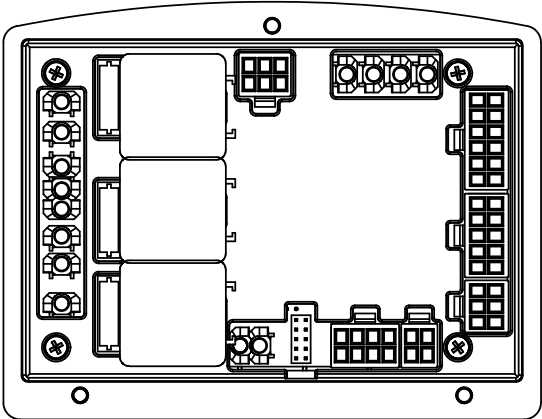
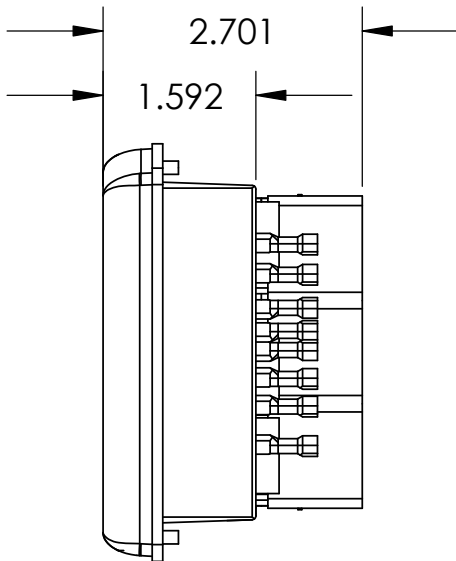
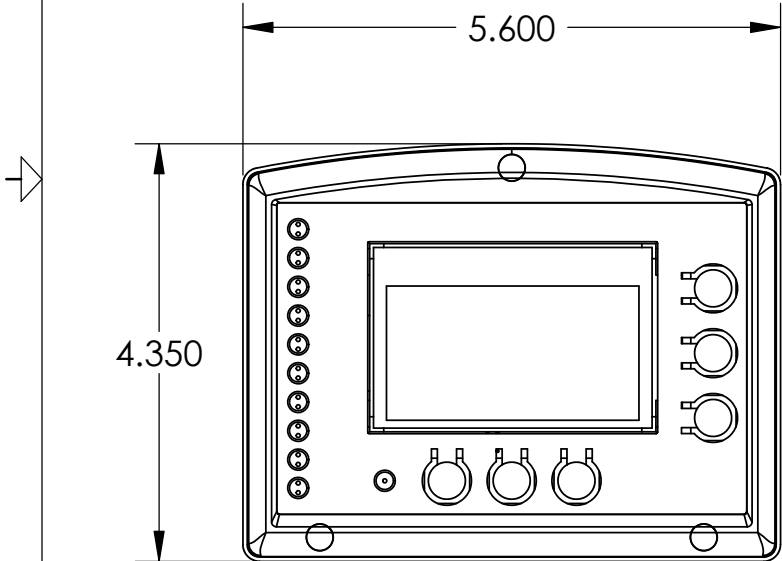
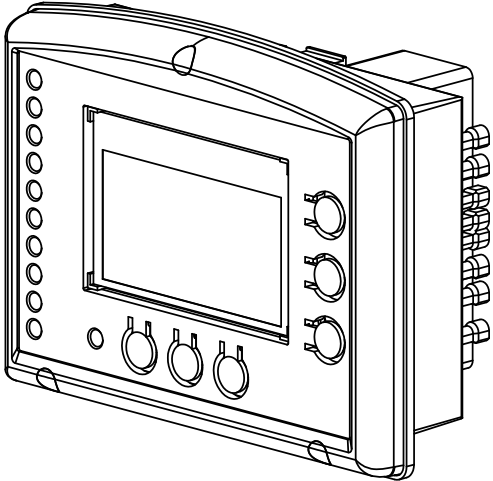
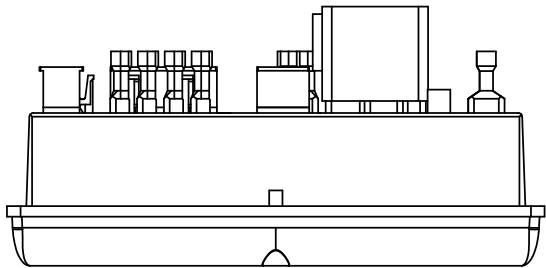


REVISIONS				
ZONE	REV	DESCRIPTION	DATE	APPROVED



DYNAGEN TECHNOLOGIES INC.

GSC 400
FULL ASSEMBLY
OVERALL DIMENSIONS

SIZE	DATE	DWG NO.	REV
	11 JUL 06	1395R0	0
SCALE:1:2		DRAWN BE	APPROVED