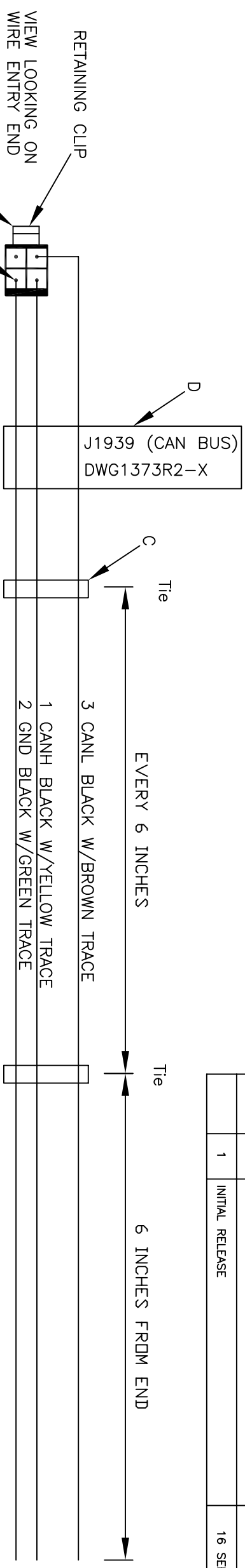
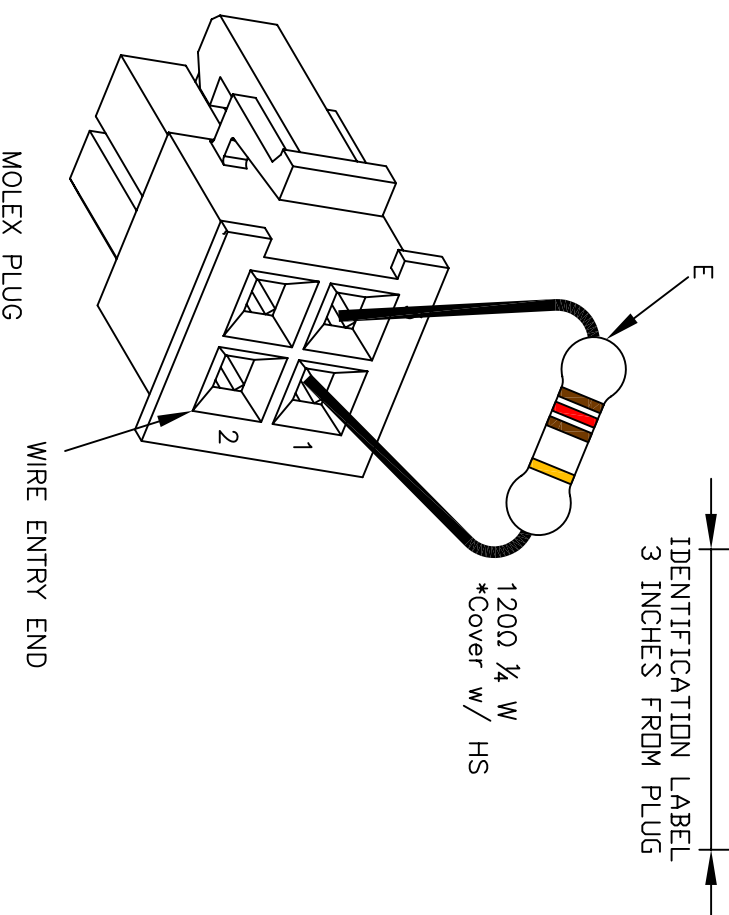


REVISIONS				
ZONE	REV	DESCRIPTION	DATE	APPROVED
	1	INITIAL RELEASE	16 SEP 09	



PLAIN ENDS ON ALL WIRES
AT THIS END OF HARNESS



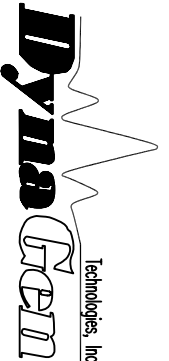
WIRE HARNESS PARTS LIST		
PART	QUANTITY	DESCRIPTION
A	1	DUAL ROW PLUG 2X2 4 POSITION MINIFIT JR MOLEX 39-01-2040
B	3	FEMALE CRIMP TERMINAL MOLEX 39-00-0039
C	AS REQUIRED	CABLE TIE
D	1	IDENTIFICATION LABEL
E	1	120Ω 1/4W RESISTOR
1	1	BLACK W/YELLOW TRACE
2	1	BLACK W/GREEN TRACE
3	1	BLACK W/BROWN TRACE

WIRE HARNESS SPECIFICATION

WIRE SPEC: 18 GA. INSULATED STRANDED COPPER. TYPE TEW 105C 300V UL LISTED. COLOR AS SPECIFIED.
CABLE TIES OR EQUIVALENT TO BE INSTALLED AT 6 INCH SPACING INTERVALS ALONG THE HARNESS LENGTH.
THE COMPLETED CABLE ASSEMBLY TO BE IDENTIFIED WITH EITHER A TAG OR LABEL SECURELY ATTACHED.
THE IDENTIFICATION TO BE: J1939 (CAN BUS) DWG1373R3-X. (X=5 OR 8).
EQUIVALENT PARTS TO THOSE SPECIFIED MAY BE SUBSTITUTED PROVIDED THAT THEY ARE UL LISTED.
ALL OTHER PARTS TO BE UL LISTED

USE THE FOLLOWING DESIGNATIONS FOR HARNESS LENGTHS

1373R3-5 5 FOOT HARNESS LENGTH.
1373R3-8 8 FOOT HARNESS LENGTH.



DYNAGEN TECHNOLOGIES INC.

GSC400
J1939 (CAN BUS) WIRE HARNESS.

SCALE: N T S	DRAWN LC (EDP)	APPROVED			
SIZE	DATE	DWG NO.	REV		
	16 SEP 09	1373R3	1		