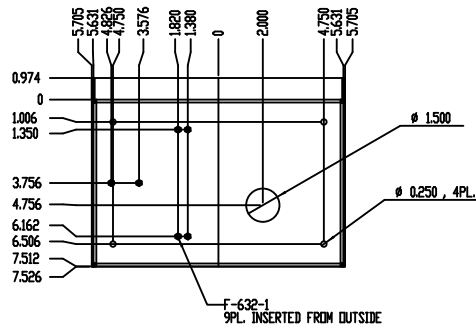
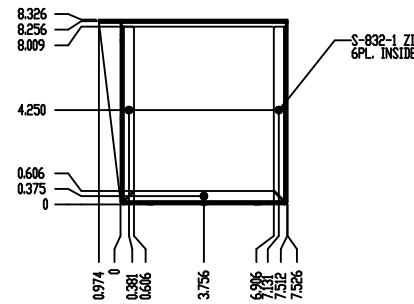
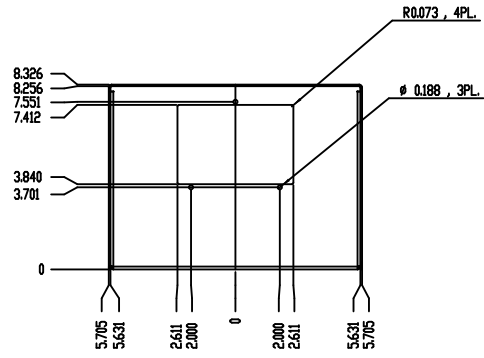
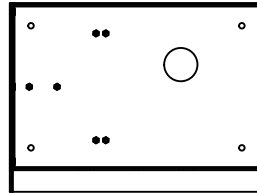
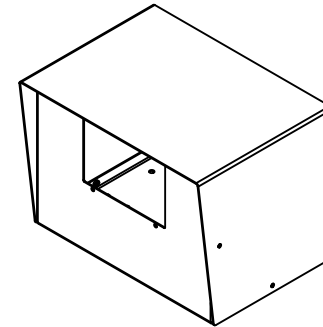


THIS DOCUMENT CONTAINS CONFIDENTIAL INFORMATION AND/OR TRADE SECRETS WHICH ARE THE PROPERTY OF DYNAGEN TECHNOLOGIES INC. THIS DOCUMENT MAY NOT BE REPRODUCED OR TRANSMITTED TO OTHERS IN ANY MANNER, NOR MAY ANY USE OF THE INFORMATION ON THIS DOCUMENT BE MADE, EXCEPT FOR THE SPECIFIC PURPOSES PRIOR WRITTEN CONSENT OF DYNAGEN TECHNOLOGIES INC.

REVISIONS				
ZONE	REV	DESCRIPTION	DATE	APPROVED



	DYNAGEN TECHNOLOGIES INC.			
	GSC300/GSC400 NEMA 1 CONTROL PANEL FULL ASSEMBLY DIMENSIONS			
SIZE	DATE	DWG. NO.	REV	
	09 JUNE 09	1441	1	
SCALE: 1:3	DRAWN BY	APPROVED		